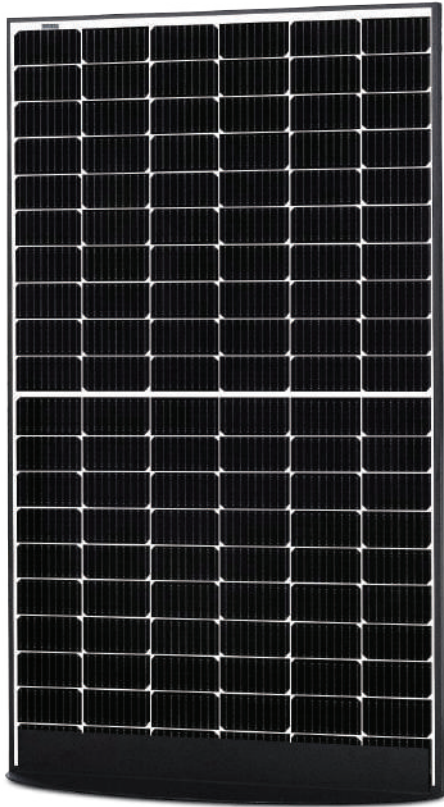


SoliTek is a European manufacturer of top quality PV cells and modules with headquarters and production plant in Vilnius, Lithuania.

The company combines the most sophisticated technologies and 20 years of experience.



Working conditions	
Maximum system voltage	DC 1500 V (TUV)
Operating temperature	-40°C / +85°C
Maximum reverse current	20 A
Maximum wind /snow load	2530/3600Pa**
IP protection level	68
Safety class	II

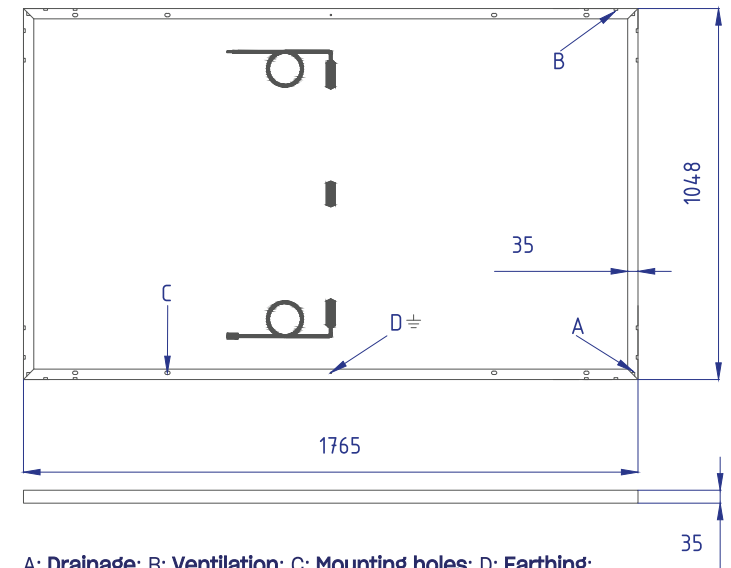
**Safety factor 1,5

Temperature coefficients	
Current temperature coefficient (α)	+0,049% /°C
Voltage temperature coefficient (β)	-0,33% /°C
Power temperature coefficient (δ)	-0,36% /°C
Nominal Operating Module Temperature	43±2°C

Electrical parameters			
Parameter		Unit	Value
Maximum power*	Pmax	W	370
Maximum power point voltage	Vmpp	V	34,1
Maximum power current	Impp	A	10,85
Open circuit voltage	Voc	V	41,4
Short circuit current	Isc	A	11,41
Efficiency	η	%	20,00

*Under Standart Test Conditions (STC) of irradiance of 1000W/sq. m., spectrum AM 1.5 and cell temperature of 25°C

Mechanical data	
Cell size (mm)	166x83
Number of cells	120 (6x20)
Front side glass	3,2 mm
Weight	20 kg
Dimensions (L x W x H)	1765x1048x35
J-box	IP68
Cable length	1100 mm
Cable cross section size	4 mm ²
Number of diodes	3
Plug-in connection	MC4 compatible
Frame	Black anodized aluminium frame



A: Drainage; B: Ventilation; C: Mounting holes; D: Earthing;

20

years product guarantee

25

84,8% max output guarantee