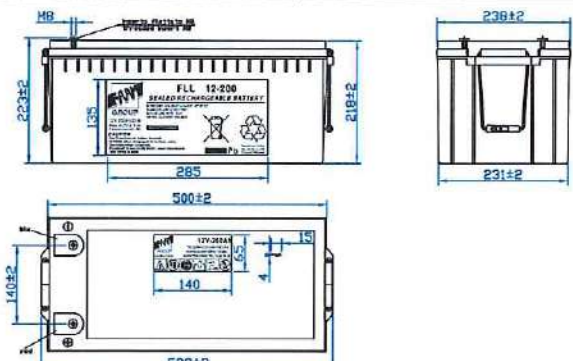
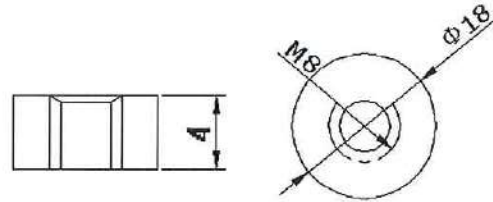
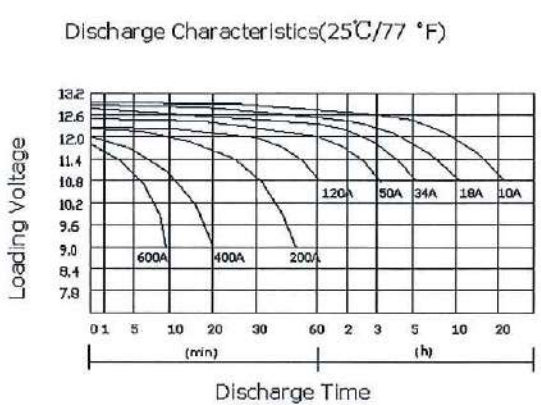

FLL 12-200
PHYSICAL SPECIFICATION

Nominal Voltage		12V
Nominal Capacity (20Hr)		200Ah
Dimension	Length	522 ±2mm
	Width	240 ±2mm
	Box Height	210 ±2mm
	Total Height	224 ±2mm
Drawing 400214-2		Weight 62,5 Kg ± 5%
Standard Terminal		Bolt Type: M8
		Bolt-and-nut terminal Bolt Type:M8  (in mm)

ELECTRICAL SPECIFICATION

Characteristics			Discharge curves @ 25°C (77 °F)
Capacity	20 hour rate	200,00Ah	
	10 hour rate	180,00Ah	
	5 hour rate	155,60Ah	
	3 hour rate	138,60Ah	
	1 hour rate	110,50Ah	
Capacity affected by temperature	40°C	102%	
	20°C	100%	
	0°C	85%	
Internal Resistance 3,4 mΩ ±10%		SCC 3500 A ±10%	
Constant Voltage Charge	Cycle	Initial Charging Current less than 60 A Voltage 14,70~15,00V at 20°C Temperature Coefficient -30 mV/°C	
	Stand by	No limit on Initial Charging Current Voltage 13,60~13,80V at 20°C Temperature Coefficient -20 mV/°C	

Constant Current(Amp) and Constant Power (Watt/Cell) Discharge Table at 20°C

Time		5min	15min	30min	60min	90min	120min	180min	300min	480min	600min
9.9V	A	677,25	365,40	201,16	109,93	90,64	76,61	46,30	31,75	21,89	18,90
	W	1104,24	616,16	395,15	260,40	190,09	147,70	107,40	74,93	50,66	41,80
10.2V	A	670,95	361,62	195,15	109,84	74,42	62,90	46,20	31,63	21,80	18,62
	W	1027,20	603,87	377,63	247,20	180,46	147,00	106,89	73,84	49,92	41,32
10.8V	A	630,00	315,00	185,40	107,28	72,68	61,43	45,68	31,12	21,46	18,00
	W	856,00	534,40	357,60	240,00	175,20	140,00	101,80	71,00	48,00	40,00

