

eMH1 Basic WALLBOX

WITH CHARGING CABLE

11 kW

The eMH1 1W1108 is the smallest wallbox with an attached charging cable and Type 2 connector for the private domain. Thanks to its extremely compact dimensions, the eMH1 is the perfect indoor and outdoor solution for efficient charging of EV with a Type 2 charging socket. Our DC fault current detection is already integrated as standard and, in conjunction with a commercially available type A residual current circuit breaker, ensures a particularly high level of safety in operation.



General information

Model	eMH1
Model number	1W1108
EAN number	4011721176024
Commodity code	85371091
Packaging unit (PU)	1 unit
Packaging (dimensions HxWxD)	355 x 330 x 270 mm
Components included	Wallbox, printed installation guide, drilling template, mounting kit, 2 keys

Input/mains supply

Grid connection	max. 5 x 6 mm ²
Rated voltage	230/400 V
Rated current	16 A
Rated frequency	50 Hz
Upstream fuse	16 A
Terminal block	6 mm ² feed-through terminal block PE: 6 mm ² feed-through terminal block

Output/vehicle connection

Connection system	Single charging cable with Type 2 connector in acc. with IEC62196-2, ca. 6.35 m
Output voltage	230/400 V
Max. charging current	16 A
Maximum output	11 kW

Protection/integrated components

RCCB	min. RCCB Type A, 30 mA, required in pre-installation
DC fault current detection	electronic, $I_{\Delta n \text{ d.c.}} \geq 6 \text{ mA}$
Installation contactor	4-pole (charging procedure activation)
Welding detection	No charging possible with welded contactors
Temperature monitoring	Gradual lowering of charging current in case of overheating

Charging monitor/status indicators

Charge controller	EVCC2
Communication	in acc. with IEC 61851-1 Mode 3
Operating status indicator	LED (stand-by, EV detected, charging)
Firmware indicator	LED (flashes on startup)
Error display	LED (various flash patterns)
Interface	RS485

Standards/guidelines

IEC 61851-21-2
IEC 61851-1 Ed. 3
IEC 60364-7-722 Ed. 1

Operating conditions

Storage temperature	-30 to 85°C
Operating temperature	-30 to 50°C
Relative humidity	5 to 95%, no condensation
Class of protection	I
Overvoltage category	III
Degree of pollution	3
Degree of protection (housing)	IP54

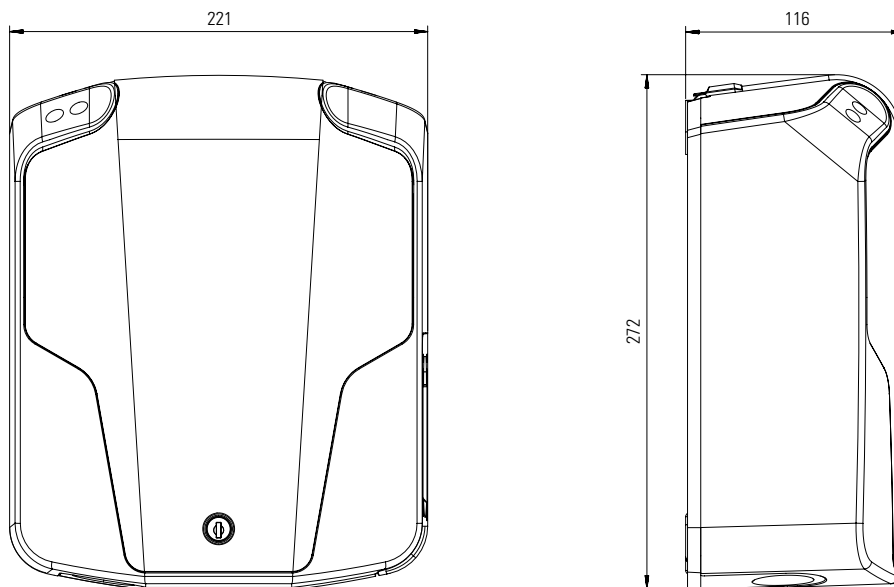
Housing

Type	Wall-mounted housing
Fixing type	Wall bracket (mounting kit provided)
Material (housing)	Plastic
Housing color	RAL9005
Material (cover)	Plastic
Cover color	RAL9005
Locking mechanism	Lockable cover with integrated lock
Dimensions (HxWxD)	272 x 221 x 116 mm
Weight	Approx. 4.5 kg

Optional accessories

Mounting Pole	STEMH10
Foundation	EMH9999
Bracket	WHEMH10
Wall bracket with key switch	1W0001
homeCLU load management	SBCH1
see website at www.ablmobility.de	

Dimensioned drawing



Subject to change: All features, specifications and other information are subject to change without notice.