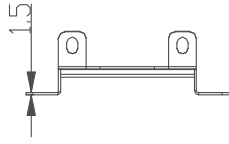
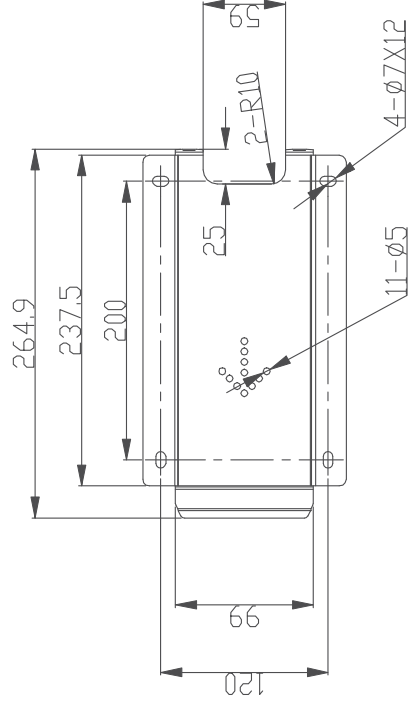


PALO  
per  
THOR 03AS/07AS

Dimensioni (mm)	0.5"6 ±0.1	>8"30 ±0.2	30"120 ±0.3	>120"400 ±0.5	>400"1000 ±0.8	>1000"2000 ±1.2
Tolleranza (mm)						

**GROWATT**

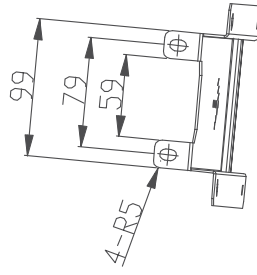
A



B

+

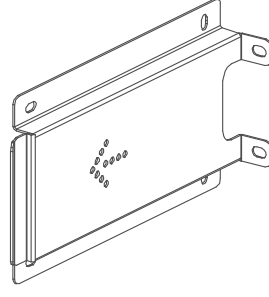
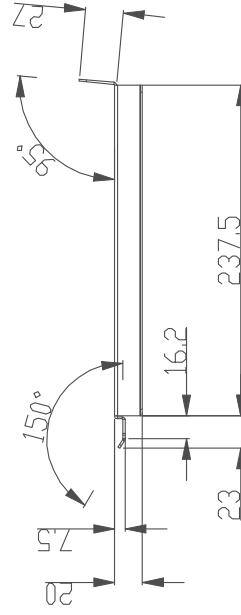
C



D

+

E



F

**STAFFA**

per

THOR 03AS/07AS

1

2

3

4

5

6